

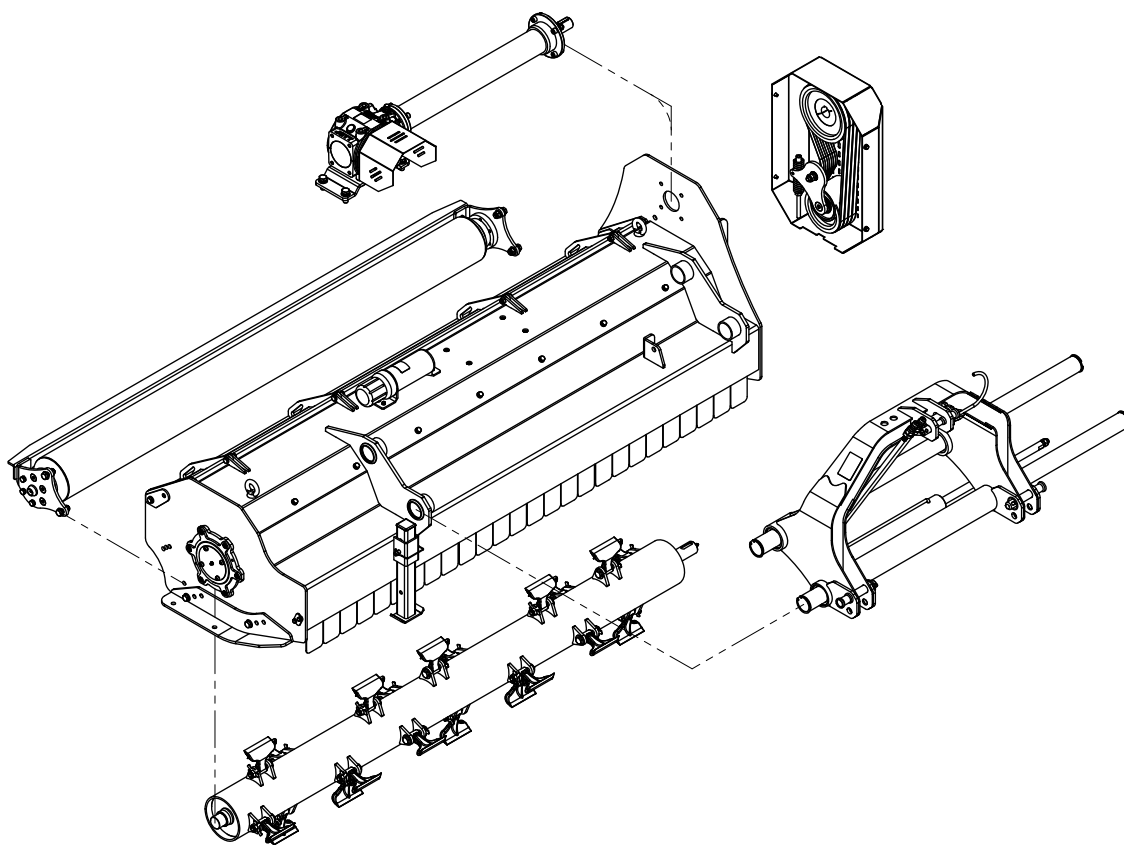


PARTS DIAGRAMS & LISTS

Flail Mower 100HP

Model Numbers:

FLA-100-180 & FLA-100-200



70 SPITFIRE PL, RUTHERFORD NSW 2320 POST: PO BOX 454, RUTHERFORD NSW 2320
T. 61 2 4932 3011 • SALES@SXM.COM.AU • WWW.SXM.COM.AU

SOUTHERN CROSS MOWERS PTY LTD T/A SOUTHERN CROSS AG MACHINERY
ABN 54 062 931 775
FLA-100-Parts.v0 (06/08/2024)



fb.me/SouthernCrossAg

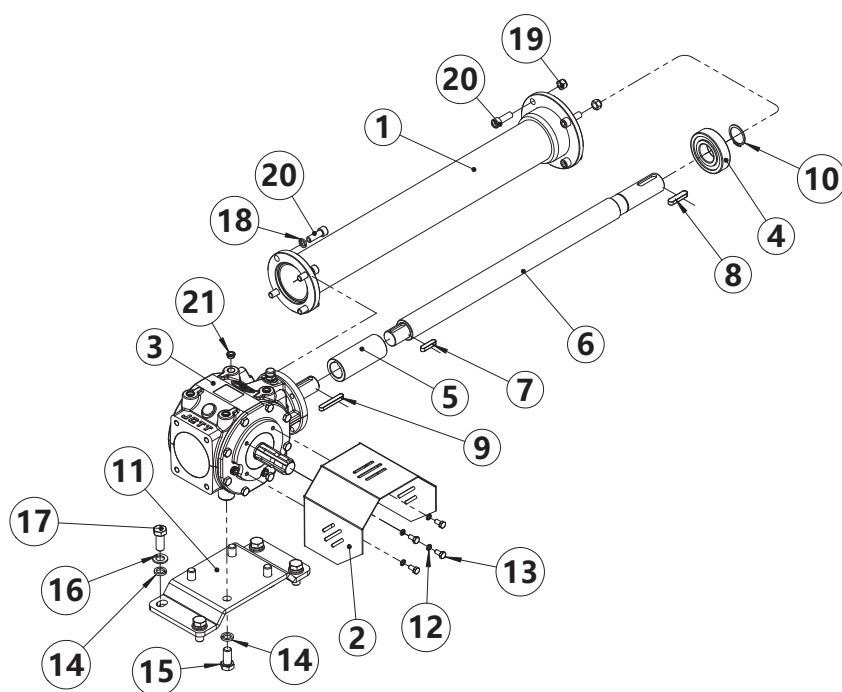


TABLE OF CONTENTS

Gearbox Components.....	03
Drive Components.....	04
Hood Components.....	05
Rotor Components.....	08
Roller Components.....	09
Head Stock Components.....	11

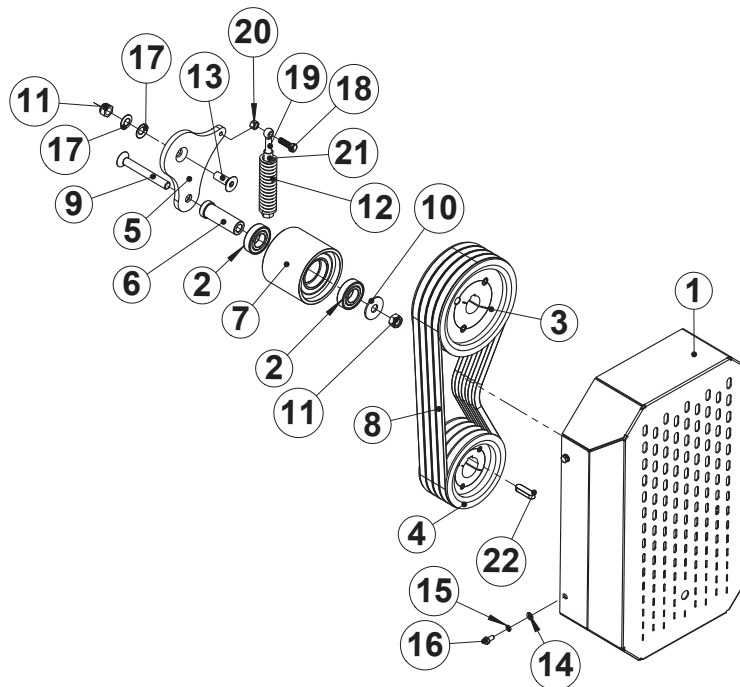
Manufacturers statement: Due to continuing improvements Southern Cross Ag Machinery Pty Ltd reserves the right to modify machinery design and specifications provided herein without any preliminary notice. Information provided herein is of descriptive nature.

GEARBOX COMPONENTS



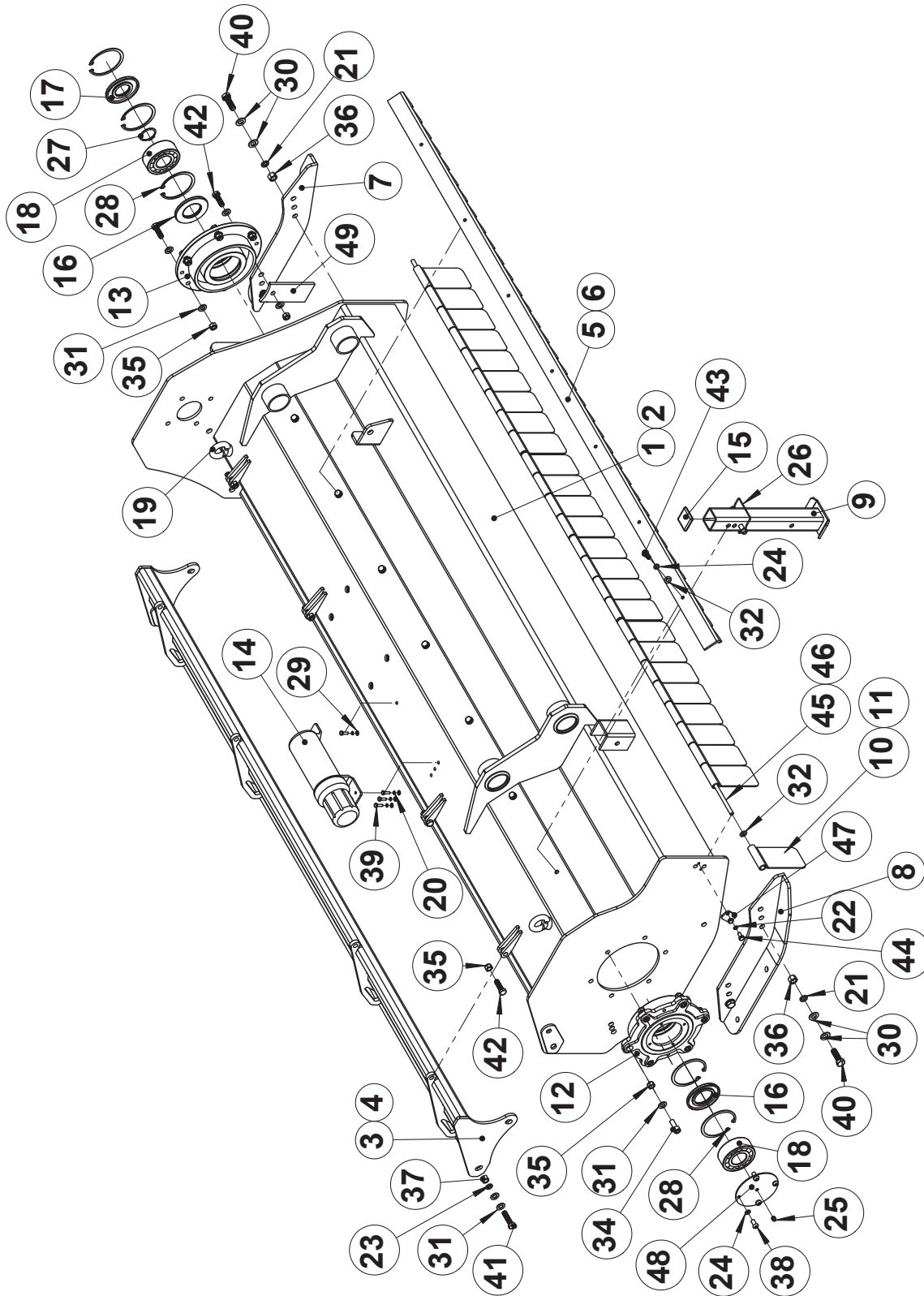
POS.	COD.	DESCRIPTION	QTY
1	303010152	Cross Shaft Housing	1
2	301010093	PTO Protective Cover	1
3	306010003	Gearbox	1
4	305010007	Cross Shaft Bearing	1
5	302050016	Coupling	1
6	302050019	Cross Shaft	1
7	304300002	Keyway	1
8	304300005	Keyway	1
9	304300004	Keyway	1
10	304270004	Circlip	1
11	301010037	Gear Box Mounting Plate	1
12	304410003	Spring Washer	4
13	304010002	Bolt	4
14	304410004	Spring Washer	8
15	304010015	Bolt	4
16	304210007	Plain Washer	4
17	304010016	Bolt	4
18	304410002	Spring Washer	4
19	304120002	Nut	4
20	304140003	Bolt	8
21	309020008	Thread Plug	4

DRIVE COMPONENTS



POS.	COD.	DESCRIPTION	QTY
1	303010037	Belt Guard	1
2	305010008	Bearing	2
3	306030018	Upper V-Belt Pulley	1
4	306030019	Lower V-Belt Pulley	1
5	301010031	Tensioner Plate	1
6	302030006	Tensioner Pulley Shaft	1
7	306030006	Belt Tensioner Pulley	1
8	306040004	Belt	4
9	304150005	Bolt	1
10	304220002	Spacer	1
11	304120005	Nut	2
12	304320001	Belt Tensioner Spring	1
13	304150006	Bolt	1
14	304210001	Plain Washer	4
15	304410003	Spring Washer	4
16	304010002	Bolt	4
17	304240002	Washer	2
18	304010007	Bolt	1
19	304080006	Eye Bolt	1
20	304090004	Nut	1
21	302040001	Tensioner Rod	1
22	304300009	Keyway	1

HOOD COMPONENTS





HOOD COMPONENTS continued

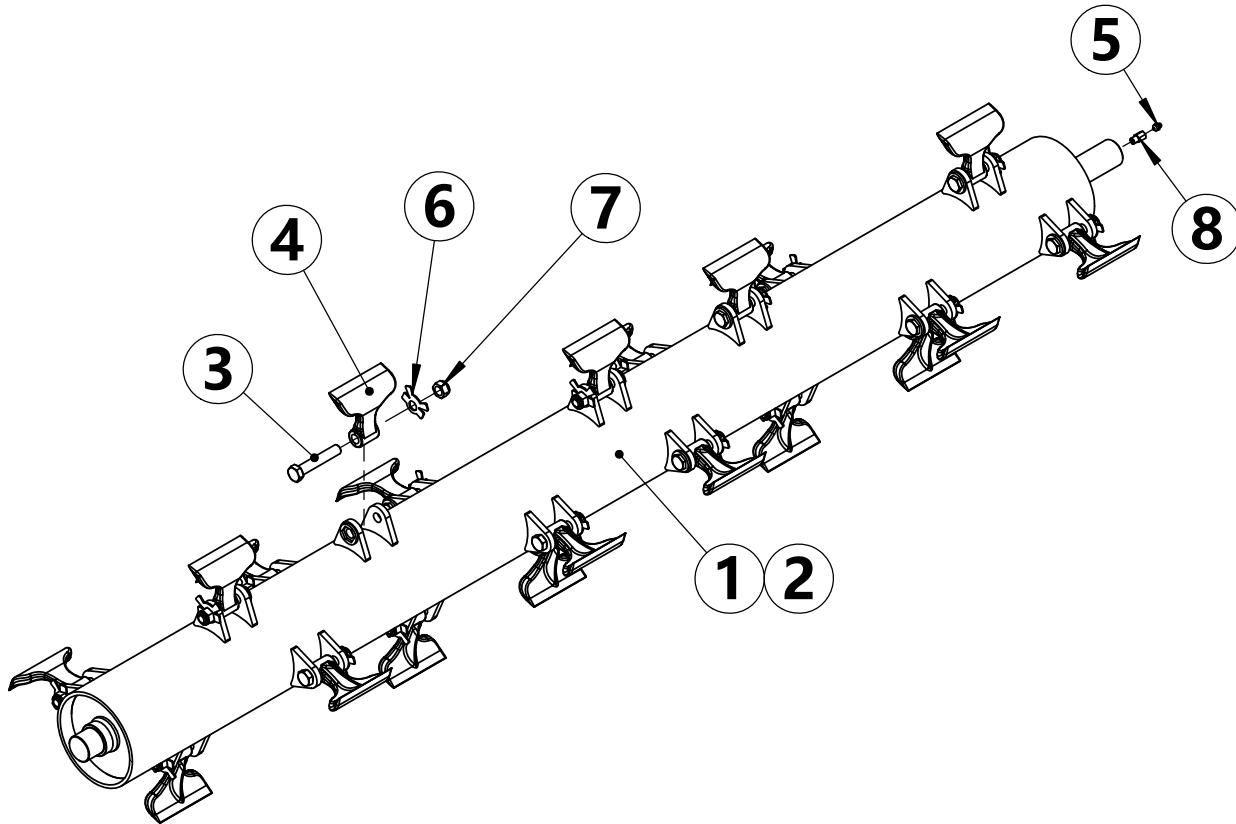
POS.	COD.	DESCRIPTION	180 - QTY	200 - QTY
1	303010063	Hood	1	-
2	303010038	Hood	-	1
3	303010059	Rear Door	1	-
4	303010032	Rear Door	-	1
5	301010097	Shredding Bar	1	-
6	301010096	Shredding Bar	-	1
7	303010153	Skid	1	1
8	303010154	Skid	1	1
9	303010036	Stand	1	1
10	301010094	Protection Plate	4	2
11	301010086	Protection Plate	19	23
12	314050005	Bearing Housing - Drive	1	1
13	314050004	Bearing Housing - Non Drive	1	1
14	309050008	Manual Holder	1	1
15	309020001	Square Tube Plug	1	1
16	308010015	Oil Seal	2	2
17	308010013	Oil Seal	1	1
18	305020004	Bearing	2	2
19	304420002	Eye Bolts	2	2
20	304410008	Spring Washer	4	1
21	304410005	Spring Washer	4	4
22	304410003	Spring Washer	2	2
23	304410002	Spring Washer	2	2
24	304410001	Spring Washer	9	11
25	304400001	Grease Nipple	1	1
26	304370001	Stand Retainer	1	1
27	304270005	Circlip	1	1
28	304260004	Circlip	5	5
29	304210012	Plain Washer	4	1
30	304210009	Plain Washer	8	8
31	304210003	Plain Washer	22	22
32	304210002	Plain Washer	26	31
33	304010003	Bolt	5	7
34	304140012	Bolt	6	6



HOOD COMPONENTS continued

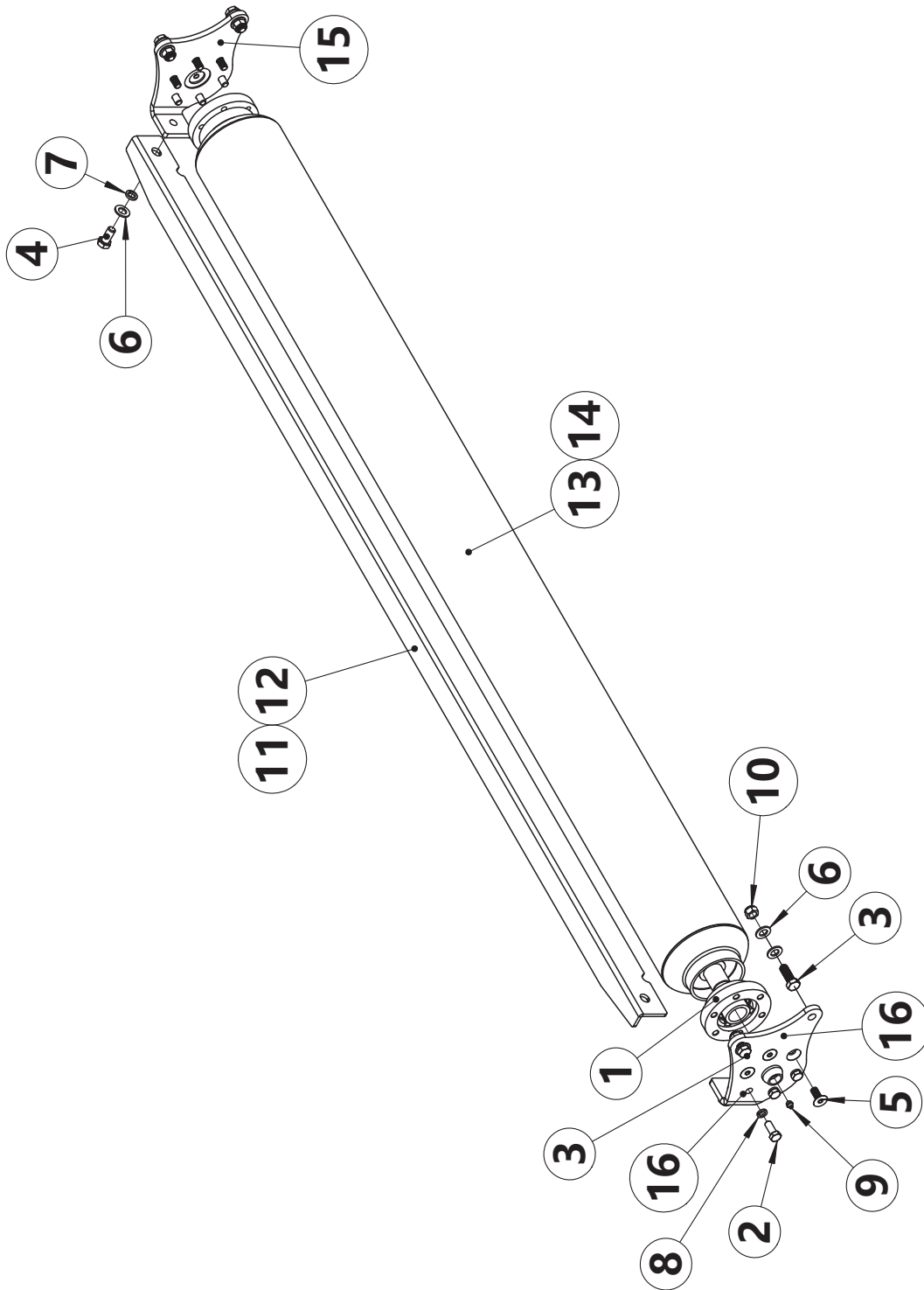
POS.	COD.	DESCRIPTION	180 - QTY	200 - QTY
35	304120002	Nut	16	16
36	304090006	Nut	4	4
37	304090001	Nut	2	2
38	304080001	Bolt	4	4
39	304020010	Bolt	4	1
40	304010032	Bolt	4	4
41	304010014	Bolt	2	2
42	304010013	Bolt	10	10
43	304190003	Bolt	1	1
44	304010002	Bolt	2	2
45	301010092	Protection Flap Plate Rod	1	1
46	302030009	Protection Flap Plate Rod	-	1
47	302030011	Protection Flap Rod	1	-
48	301010036	Bearing Housing Cover	1	1
49	301010030	Body Plate	1	1

ROTOR COMPONENTS



POS.	COD.	DESCRIPTION	QTY - 180	QTY - 200
1	303010058	Rotor	1	-
2	303010040	Rotor	-	1
3	304020005	Bolt	16	18
4	314010002	Hammer	16	18
5	304400001	Grease Nipple	1	1
6	301010028	Locking Plate	16	18
7	304120005	Nut	16	18
8	304400009	Grease Fitting	1	1

ROLLER COMPONENTS

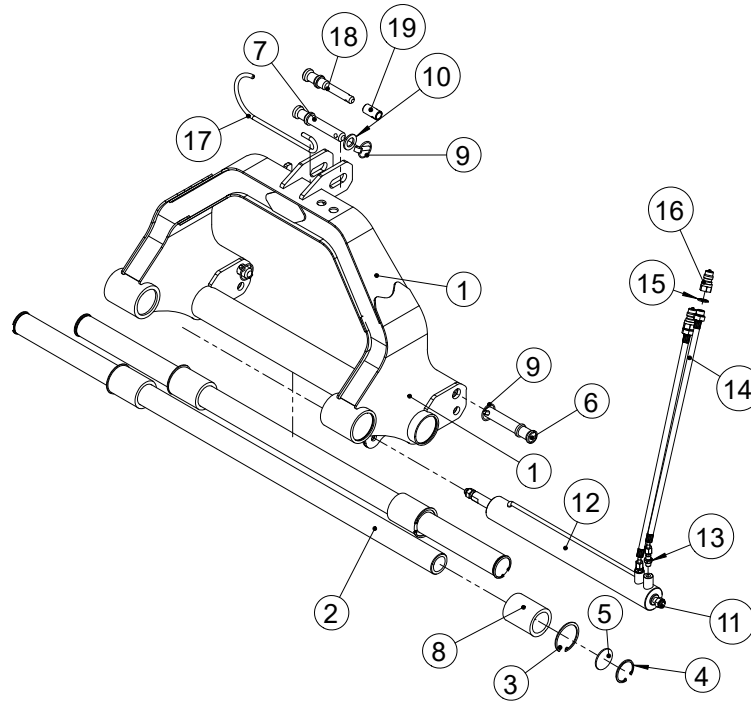




ROLLER COMPONENTS continued

POS.	COD.	DESCRIPTION	QTY - 180	QTY - 200
1	305060005	Bearing	2	2
2	304010001	Bolt	6	6
3	304010022	Bolt	4	4
4	304010028	Bolt	2	2
5	304150007	Bolt	6	6
6	304210009	Plain Washer	10	10
7	304410005	Spring Washer	2	2
8	304410002	Spring Washer	6	6
9	304400001	Grease Nipple	2	2
10	304120007	Nut	4	4
11	301010048	Roller Scraper	1	-
12	301010029	Roller Scraper	-	1
13	303010061	Roller	1	-
14	303010031	Roller	-	1
15	303010035	Left Roller Bearing Housing	1	1
16	303010034	Right Roller Bearing Housing	1	1

HEAD STOCK COMPONENTS



POS.	COD.	DESCRIPTION	QTY
1	303010150	Head Stock	1
2	302080001	Head Stock Slide Bar	2
3	304260006	Circlip	4
4	304260005	Circip	4
5	302050015	Cap	4
6	302020003	Lower Link Pin	2
7	302020004	Upper Link Pin	1
8	302050020	Nylon Bush	4
9	304370002	Linch Pins	3
10	304210010	Plain Washer	1
11	304120005	Nut	2
12	307010002	Hydraulic Cylinder	1
13	307030001	Hydraulic Nipple	2
14	307020003	Hydraulic Hose	2
15	308030001	Hydraulic Washer	2
16	307030003	Hydraulic Quick Coupling	2
17	301010032	Drive Shaft Hook	1
18	302020005	Upper Link Pin	1
19	302020006	Pin Bushing	1

SOUTHERN CROSS AG MACHINERY
70 SPITFIRE PLACE, RUTHERFORD NSW 2320
PO BOX 454, RUTHERFORD NSW 2320

T. 02 4932 3011

WWW.SXM.COM.AU

AUTHORISED SXM DEALER



SX SOUTHERN CROSS
AG MACHINERY