

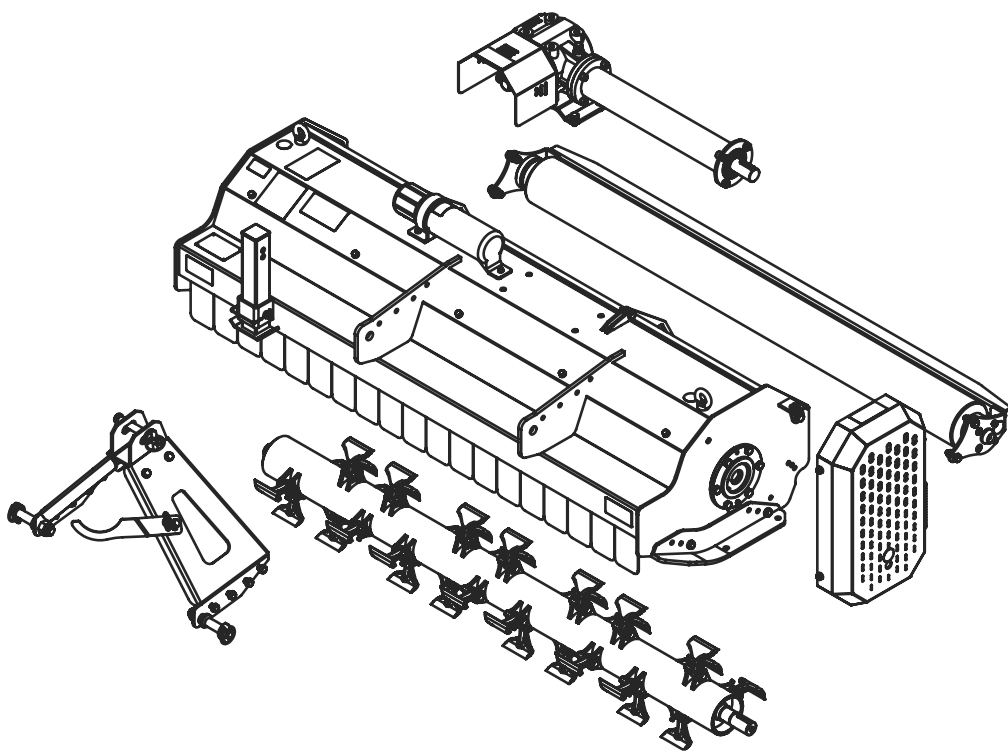


PARTS DIAGRAMS & LISTS

Flail Mower 45HP

Model Numbers:

FLA-45-120, FLA-45-140 & FLA-45-160



70 SPITFIRE PL, RUTHERFORD NSW 2320 POST: PO BOX 454, RUTHERFORD NSW 2320
T. 61 2 4932 3011 • SALES@SXM.COM.AU • WWW.SXM.COM.AU

SOUTHERN CROSS MOWERS PTY LTD T/A SOUTHERN CROSS AG MACHINERY
ABN 54 062 931 775
FLA-45-Parts.v0 (06/08/2024)



fb.me/SouthernCrossAg

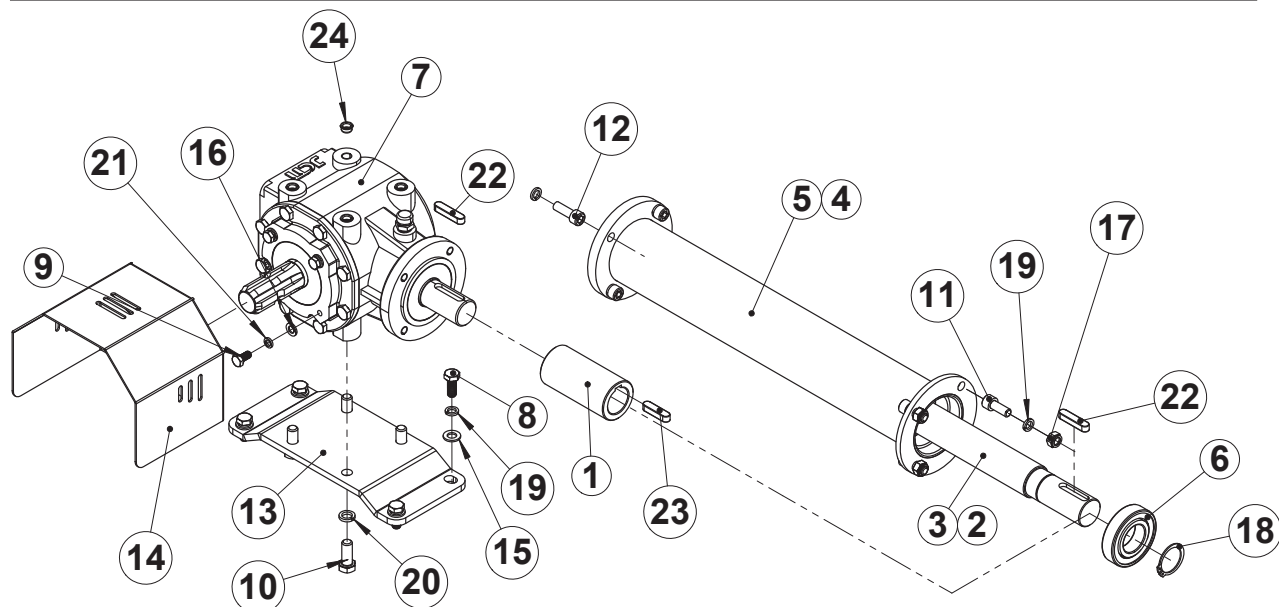


TABLE OF CONTENTS

Gearbox Components.....	03
Drive Components.....	04
Hood Components.....	05
Rotor Components.....	08
Roller Components.....	09
Head Stock Components.....	11

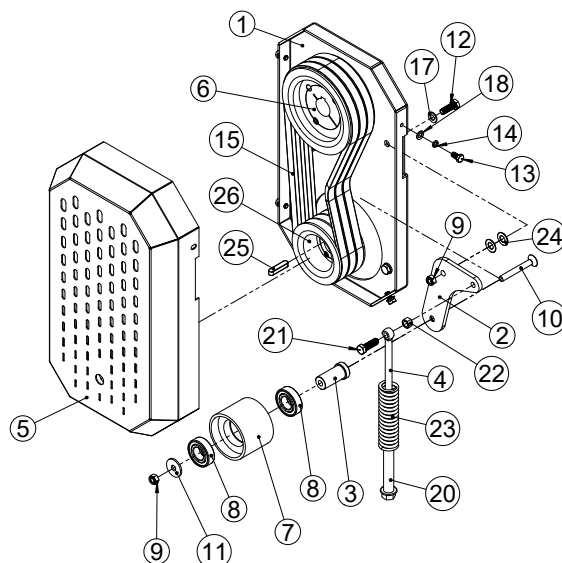
Manufacturers statement: Due to continuing improvements Southern Cross Ag Machinery Pty Ltd reserves the right to modify machinery design and specifications provided herein without any preliminary notice. Information provided herein is of descriptive nature.

GEARBOX COMPONENTS



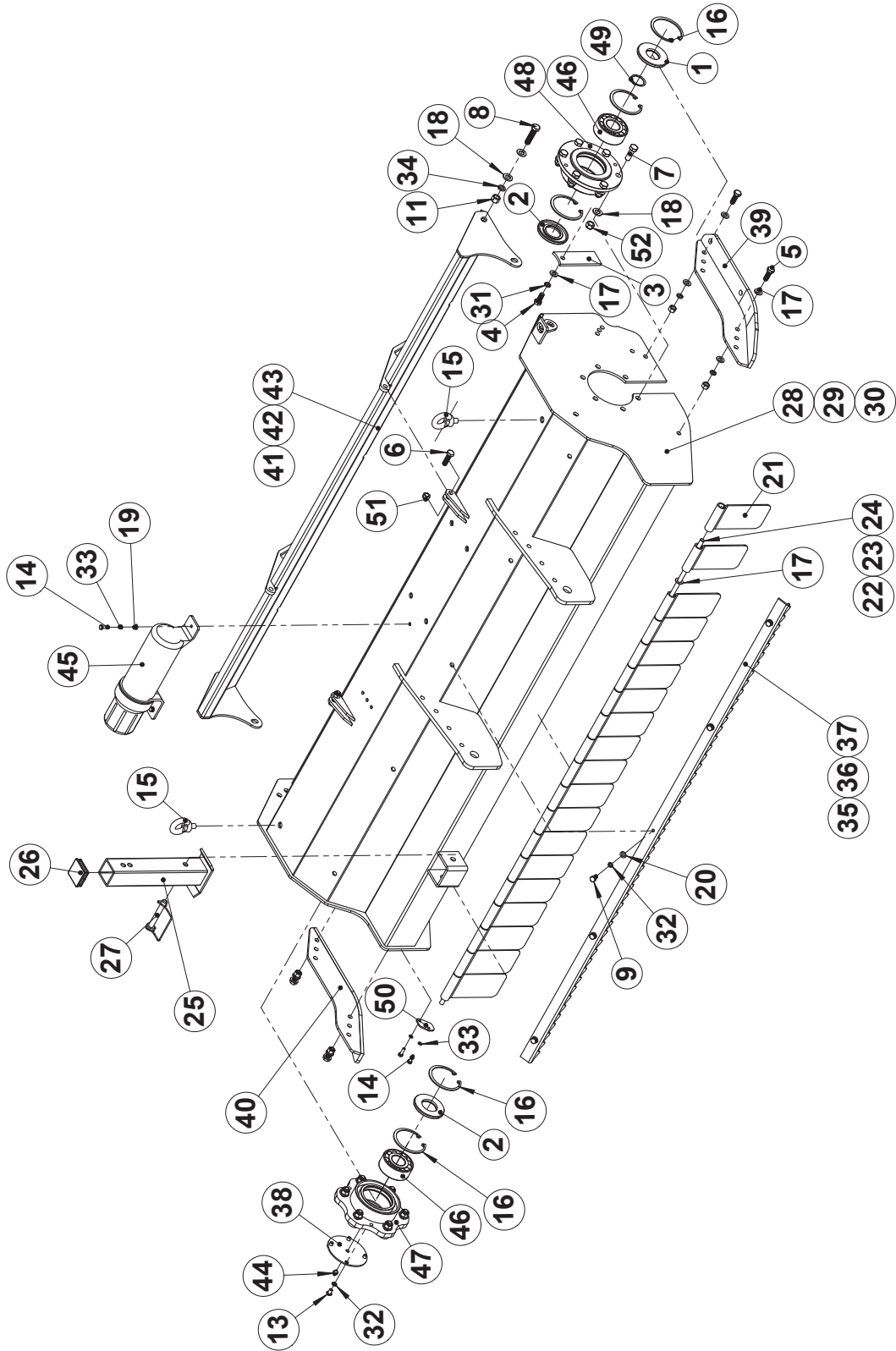
POS.	COD.	DESCRIPTION	QTY - 120	QTY - 140/160
1	302050001	Coupling	1	1
2	302050002	Cross Shaft	1	-
3	302050047	Cross Shaft	-	1
4	303010002	Cross Shaft Housing	1	-
5	303010155	Cross Shaft Housing	-	1
6	305010002	Cross Shaft Bearing	1	1
7	306010001	Gear Box	1	1
8	304010003	Bolt	4	4
9	304010002	Bolt	4	4
10	304010001	Bolt	4	4
11	304140002	Bolt	4	4
12	304140001	Bolt	4	4
13	301010099	Mounting Plate	1	1
14	301010098	PTO Protective Cover	1	1
15	304210002	Plain Washer	4	4
16	304210001	Plain Washer	4	4
17	304120001	Nut	7	7
18	304270002	Circlip	1	1
19	304410001	Spring Washer	12	12
20	304410002	Spring Washer	4	4
21	304410003	Spring Washer	4	4
22	304300001	Cross Shaft Keyway	2	2
23	304300002	Gearbox Keyway	1	1
24	309020007	Thread Plug	4	4

DRIVE COMPONENTS



POS.	COD.	DESCRIPTION	QTY -120/140/160
1	301010005	Pulley Cover Side Plate	1
2	301010008	Tensioner Plate	1
3	302030001	Tensioner Pulley Shaft	1
4	304080006	Tension Rod Upper	1
5	303010010	Belt Guard	1
6	306030001	Upper V-Belt Pulley	1
7	306030003	Belt Tensioner Pulley	1
8	305010001	Bearing	2
9	304120001	Nut	3
10	304150002	Bolt	1
11	301010009	Spacer	1
12	304010006	Bolt	1
13	304010002	Bolt	4
14	304410003	Spring Washer	4
15	306040001	Belt	3
16	304010003	Bolt	2
17	304210002	Plain Washer	4
18	304210001	Plain Washer	4
19	304410001	Spring Washer	1
20	302040001	Tensioner Rod Lower	1
21	304010007	Bolt	1
22	304090004	Nut	1
23	304320001	Spring	1
24	304240003	Washer	2
25	304300001	Keyway	1
26	306030002	Lower V-Belt Pulley	1

HOOD COMPONENTS





HOOD COMPONENTS continued

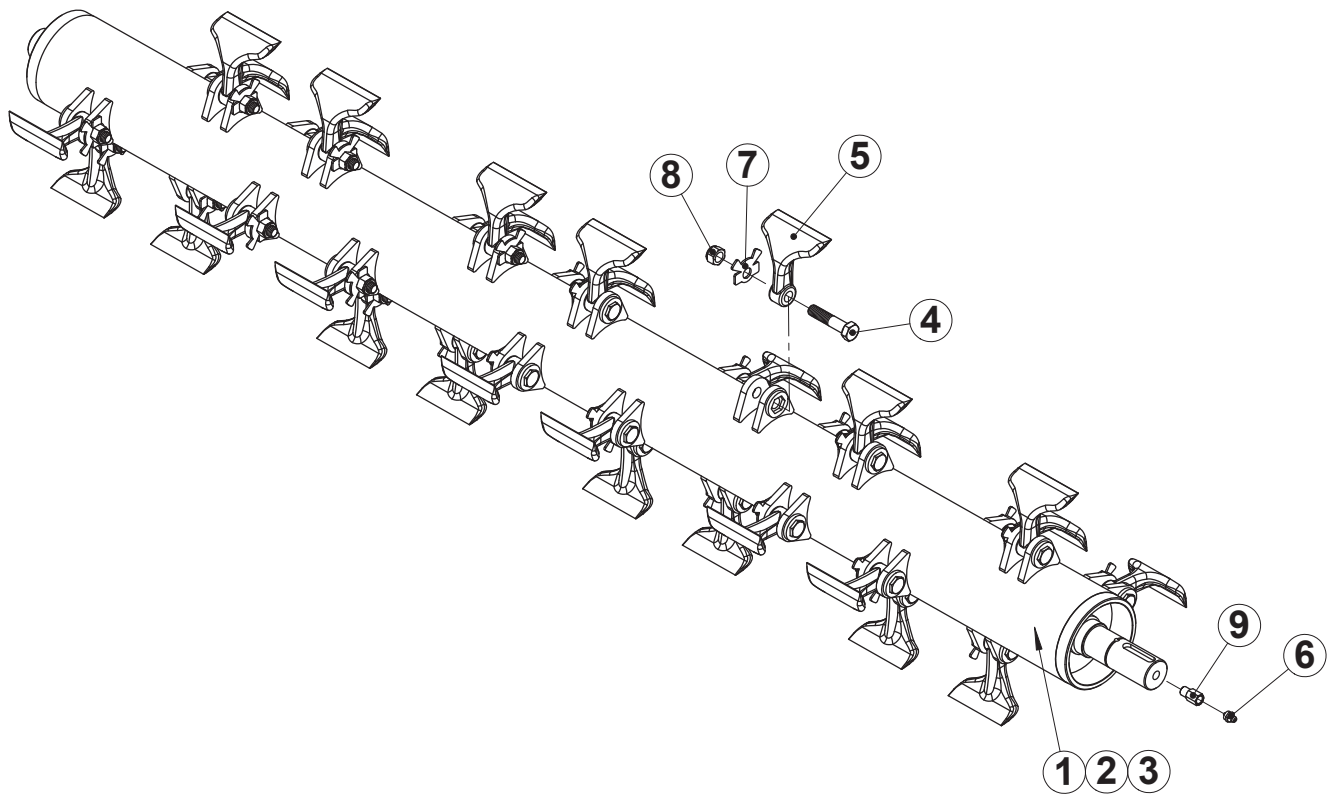
POS.	COD.	DESCRIPTION	QTY - 120	QTY - 140	QTY - 160
1	308010016	Oil Seal	1	1	1
2	308010017	Oil Seal	2	2	2
3	301010010	Plate	1	1	1
4	304010003	Bolt	1	1	1
5	304010006	Bolt	4	4	4
6	304010007	Bolt	2	2	2
7	304010029	Bolt	6	6	6
8	304010014	Bolt	2	2	2
9	304010002	Bolt	5	5	5
10	304090004	Nut	4	4	4
11	304090001	Nut	2	2	2
12	304140012	Bolt	6	6	6
13	304080002	Bolt	4	4	4
14	304020010	Bolt	6	6	6
15	304420001	Eye Bolt	2	2	2
16	304260006	Circlip	5	5	5
17	304210002	Plain Washer	20	22	24
18	304210003	Plain Washer	16	16	16
19	304210012	Plain Washer	4	4	4
20	304210001	Plain Washer	5	5	5
21	301010086	Protection Flap	14	17	19
22	302030058	Protection Flap Holder	1	-	-
23	302030059	Protection Flap Holder	-	1	-
24	302030060	Protection Flap Holder	-	-	1
25	303010169	Support Leg	1	1	1
26	309020001	Support Leg Cap	1	1	1
27	304370001	Support Leg Retainer	1	1	1
28	303010161	Hood	1	-	-
29	303010162	Hood	-	1	-
30	303010163	Hood	-	-	1
31	304410001	Spring Washer	5	5	5
32	304410003	Spring Washer	9	9	9
33	304410002	Spring Washer	2	2	2
34	304410008	Spring Washer	6	6	6



HOOD COMPONENTS continued

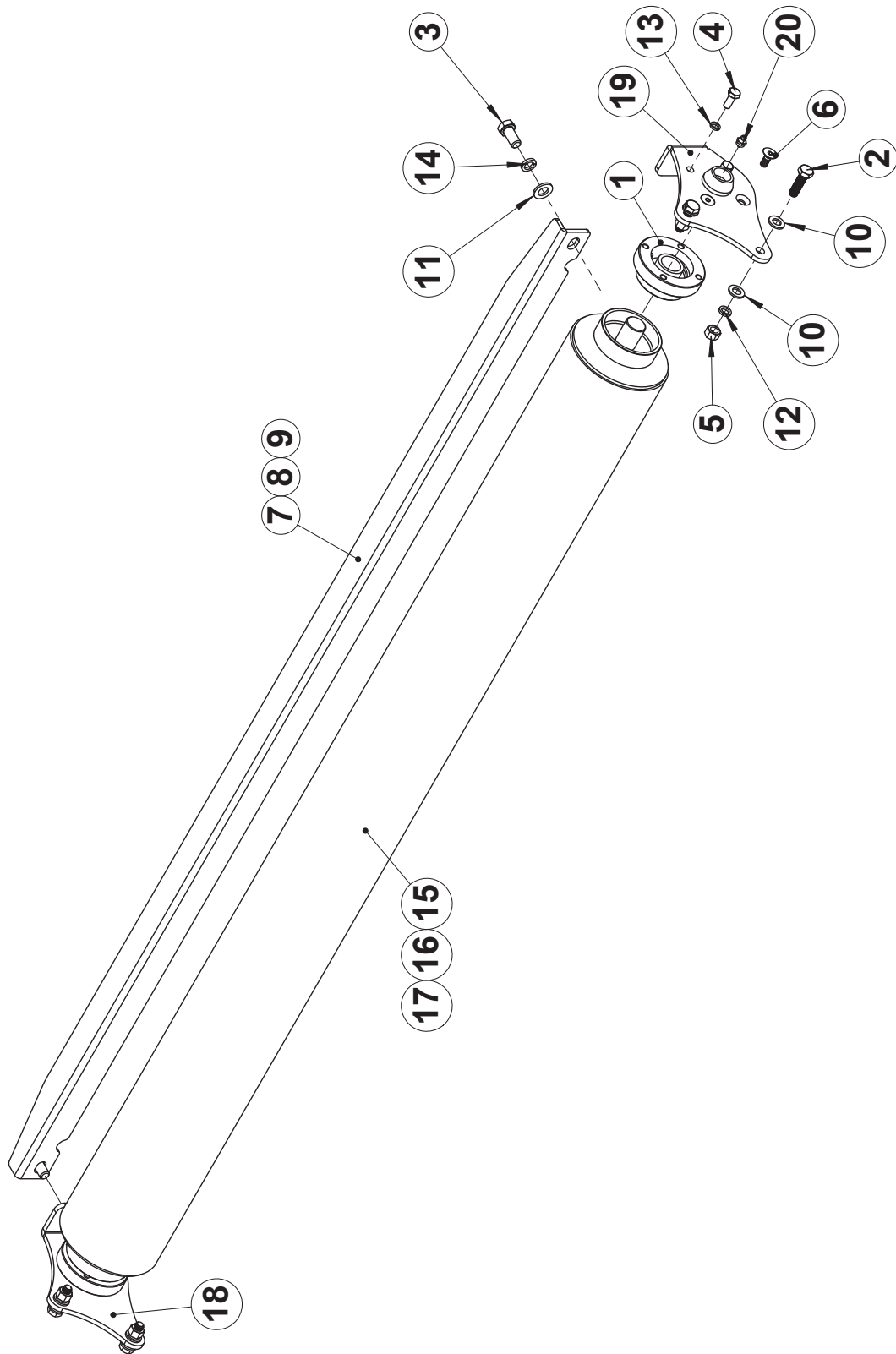
POS.	COD.	DESCRIPTION	QTY - 120	QTY - 140	QTY - 160
35	301010103	Shredding Bar	1	-	-
36	301010104	Shredding Bar	-	1	-
37	301010105	Shredding Bar	-	-	1
38	301010046	Bearing Plate	1	1	1
39	303010171	L-H Skid	1	1	1
40	303010170	R-H Skid	1	1	1
41	303010173	Rear Door	1	-	-
42	303010174	Rear Door	-	1	-
43	303010175	Rear Door	-	-	1
44	304400001	Grease Nipple	1	1	1
45	309050008	Manual Holder	1	1	1
46	305020001	Rotor Bearing	2	2	2
47	314050006	Bearing Housing - Non Drive	1	1	1
58	314050007	Bearing Housing - Drive	1	1	1
49	304270002	Circlip	1	1	1
50	301010100	Protection Flap Plate	1	1	1
51	304120001	Nut	2	2	2
52	304120002	Nut	12	12	12

ROTOR COMPONENTS



POS.	COD.	DESCRIPTION	QTY - 120	QTY - 140	QTY - 160
1	303010166	Rotor	1	-	-
2	303010167	Rotor	-	1	-
3	303010168	Rotor	-	-	1
4	304020001	Bolt	22	26	30
5	314010001	Hammer	22	26	30
6	304400001	Grease Nipple	1	1	1
7	301010011	Locking Plate	22	26	30
8	304120002	Nut	22	26	30
9	304400009	Grease Fitting	1	1	1

ROLLER COMPONENTS

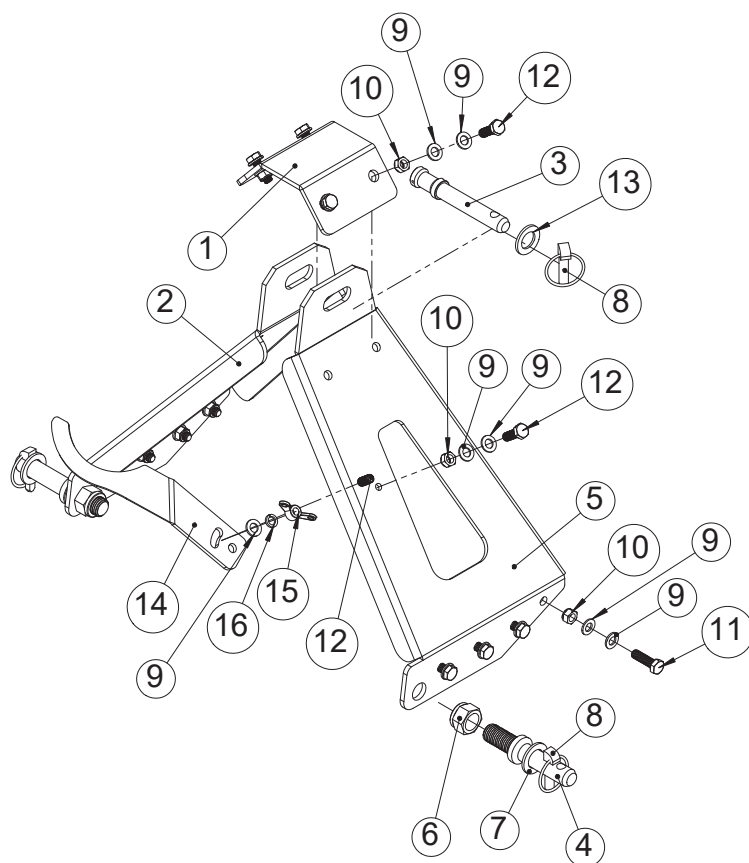




ROLLER COMPONENTS continued

POS.	COD.	DESCRIPTION	QTY - 120	QTY - 140	QTY - 160
1	305060004	Bearing	2	2	2
2	304010007	Bolt	4	4	4
3	304010004	Bolt	2	2	2
4	304010010	Bolt	4	4	4
5	304090004	Bolt	4	4	4
6	304150012	Bolt	4	4	4
7	301010004	Roller Scraper	1	-	-
8	301010050	Roller Scraper	-	1	-
9	301010095	Roller Scraper	-	-	1
10	304210002	Plain Washer	8	8	8
11	304210003	Plain Washer	2	2	2
12	304410001	Spring Washer	4	4	4
13	304410003	Spring Washer	4	4	4
14	304410002	Spring Washer	2	2	2
15	303010157	Roller	1	-	-
16	303010158	Roller	-	1	-
17	303010159	Roller	-	-	1
18	303010007	Right Roller Adjustment Plate	1	1	1
19	303010006	Left Roller Adjustment Plate	1	1	1
20	304400001	Grease Nipple	2	2	2

HEAD STOCK COMPONENTS



POS.	COD.	DESCRIPTION	QTY - 120/140/160
1	301010003	Mounting Bracket	1
2	301010002	Left Headstock Plate	1
3	302020001	Upper Pin	1
4	302020002	Lower Pin	2
5	301010001	Right Headstock Plate	1
6	304120003	Nut	2
7	304210006	Plain Washer	2
8	304370002	Lock Pin	3
9	304210002	Plain Washer	28
10	304120001	Nut	13
11	304010007	Bolt	8
12	304010006	Bolt	6
13	304210005	Plain Washer	1
14	301010101	Hook	1
15	304430004	Wing Nut	1
16	304410001	Spring Washer	1

SOUTHERN CROSS AG MACHINERY
70 SPITFIRE PLACE, RUTHERFORD NSW 2320
PO BOX 454, RUTHERFORD NSW 2320

T. 02 4932 3011

WWW.SXM.COM.AU

AUTHORISED SXM DEALER



SX SOUTHERN CROSS
AG MACHINERY